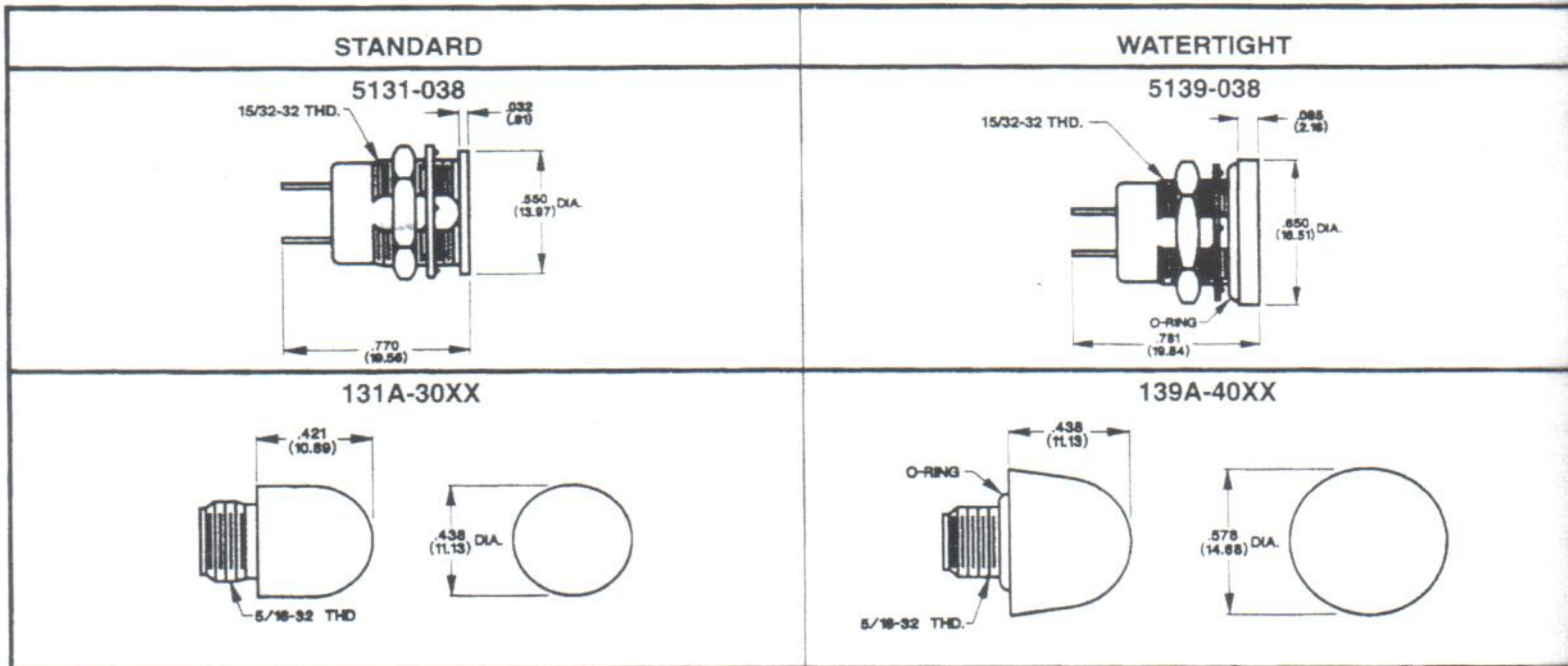


Midget Flange Relampable Indicator Lights

DESCRIPTION AND FEATURES



Lamp Midget Flange Indicator Lights are versatile, industry standard, front panel indicator lights capable of accepting any T-1 3/4 midget flange base lamp. These high quality indicators provide reliable service in a vast array of commercial and military applications (conforming to MIL-L-3661). Lamps are easily replaced

from the front panel. These indicator lights are available in both a standard configuration and a water-tight configuration providing reliable status indication in the most demanding of environments. The lamp is not included with this indicator light; please order the required lamp separately.

SPECIFICATIONS

| | |
|---|---|
| Mounting Hole: | .484 (12.3 mm), 5131 Type features a keyed flange anti-rotation feature, 5139 Type features a flat for "D" hole mounting. |
| Mounting Centers: | .750 (19.1 mm) |
| Maximum Panel Thickness: | For 5131 Type - .265 (6.7 mm) For 5139 Type - .188 (4.8 mm) |
| Housing Material: | Black Anodized Aluminum |
| Terminals: | Tin Plated Brass, Center Contact Terminal Marked + |
| Hex Nut and Lockwasher: | Chromate Treated Steel |
| O-Rings (Water-Tight Versions Only): | Neoprene |
| Lenses: | High Temperature Lexan |
| Lens Shank: | Nickel Plated Brass |
| Electrical Rating: | Up to 30 Volts, up to 2 Watt |

| Lens Part Numbers | | |
|-------------------|----------------------|--------------------|
| Standard | Water-Tight | Description |
| 131A-303R | 139A-403R | Transparent Red |
| 131A-303A | 139A-403A | Transparent Amber |
| 131A-303G | 139A-403G | Transparent Green |
| 131A-303C | 139A-403C | Transparent Clear |
| 131A-304R | 139A-404R | Translucent Red |
| 131A-304Y | 139A-404Y | Translucent Yellow |
| 131A-304G | 139A-404G | Translucent Green |
| 131A-304W | 139A-404W | Translucent White |