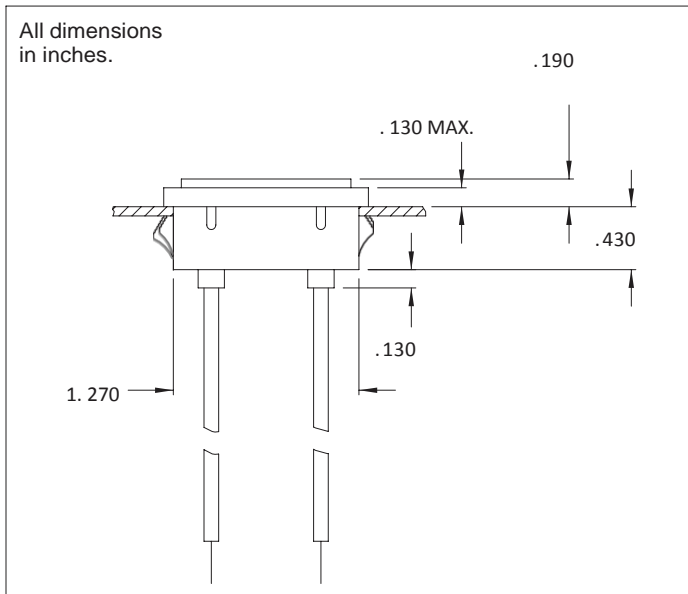


## 2330D and 2332D Series Non-Relampable Neon Indicator Light

### Description and Features



Mounting hole: Rectangular 1.276/1.281 L by .395/.400 W

Will snap-fit into Ø.032/.100 thick panels. Use speednut for other panel thicknesses.

Wire Leads: No. 22 AWG (105°C) 4.40/4.80 long, stripped .430/.570

Lens: Polycarbonate

Anode(+): Red lead

Bezel: Polished stainless steel.

Lens Color	Neon
	Model No. (105-125VAC )
Red	2330D1
Green	2332D5*
Lamp used	C 2A+Resistor

\*Incorporates G2B lamp and resistor

Underwriters Laboratories (UL) File No. E20356