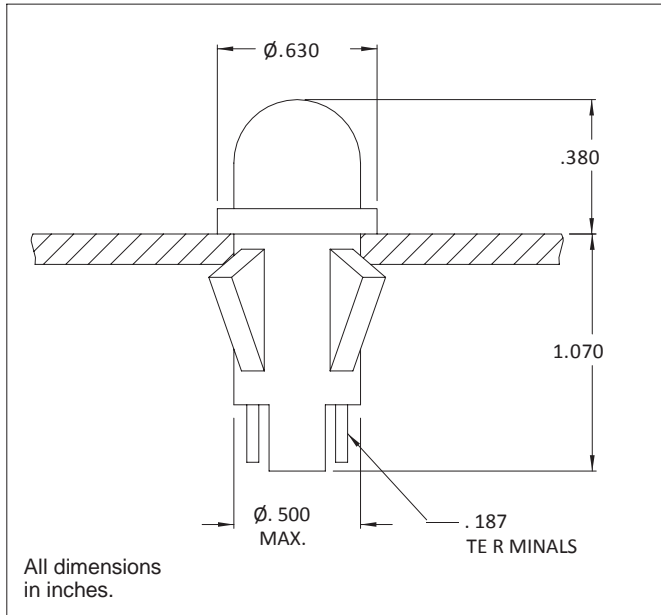


# 1091QM Series Non-Relampable LED Indicator Lights

## Description and Features



Solid-state indicator lights complete with built-in current-limiting resistor and rectifier diode.

Mounting: Will snap-fit into Ø.500/.505 hole in panels .020/.100 thick. Push-on speednut SN0461 also available.

Terminals: Quick-connect, tinned brass

Lens: Polycarbonate

Anode(+): Marked above terminal

Bezel: Polished stainless steel.

Housing: White Nylon

Lens Color	Solid State	
	Model No. (12V)	Model No. (24V)
Red	1091QM1-12V	1091QM1-24V
Green	1091QM5-12V	1091QM5-24V
Yellow	1091QM7-12V	1091QM7-24V
Internal Resistor (ohms)	390	1000

Lens Color	Incorporates LED *
Red	4304H1
Green	4304H 5
Yellow	4304H7

\* Also incorporates 1N4004 (400 P.I.V.) rectifier diode.

Voltage Table		
Nominal	VAC	VDC
12V	10 to 20	6 to 13.5
24V	22 to 32	12 to 24

To use 24V model: Beyond 32VAC add 30 ohms per volt; beyond 24 VDC add 50 ohms per volt. Use 1/2W resistor up to 50V; 1W resistor for 50V to 70V; 2W resistor for 75V to 125V. Do not use beyond 125V.