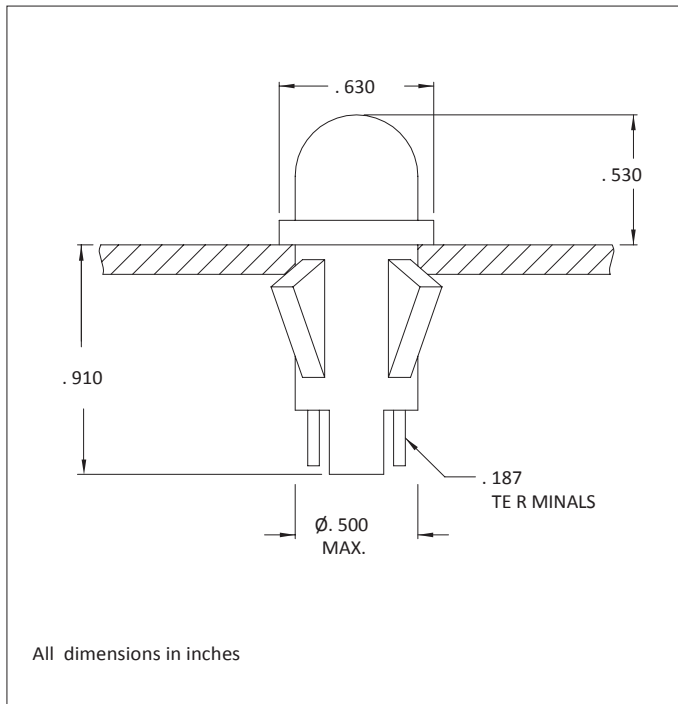


# 1090QA Series Non-Relampable Incandescent Indicator Lights

## Description and Features



Mounting: Will snap-fit into Ø.500/.505 hole in panels .020/.100 thick. Push-on speednut SN0461 also available..

Terminals: Quick-connect, tinned brass

Lens: Polycarbonate

Bezel: Polished stainless steel.

Housing: White Nylon

Lens Color	Incandescent	
	Model No. (12V)	Model No. (28V)
Red	1090QA1-12V	1090QA1-28V
White	-	1090QA3-28V
White	-	1090QA4-28V
Green	1090QA5-12V	1090QA5-28V
Blue	-	1090QA6-28V
Lamp used	#2162	#2187

Underwriters Laboratories (UL) File No. E20356