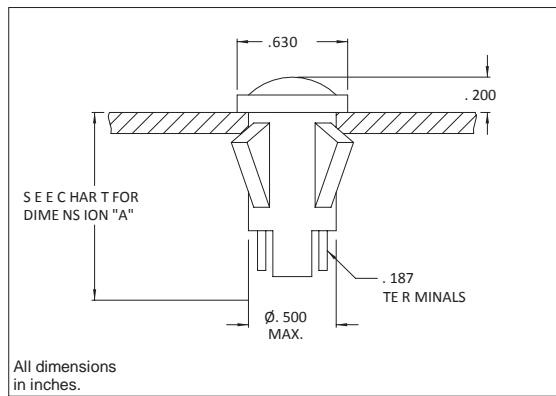


1030QD, 1031QD, 1032QD and 1033QD Series Non-Relampable Neon Indicator Lights

DESCRIPTION AND FEATURES



Mounting: Will snap-fit into Ø.500/.505 hole in panels .020/.100 thick. Push-on speednut SN0461 also available.
Mounting hole pattern on page SP2.

Terminals: Quick-connect, tinned brass

Lens: Polycarbonate

Bezel: Polished stainless steel.
For black finish add "X" after the series letter(s).

Housing: White Nylon

Lens Color	Neon	
	Model No. (105-125VAC)	Model No. (208-250VAC)
Red	1030Q D1	1031Q D1
Amber	1030Q D3	1031Q D 3
White	1030Q D4	1031Q D 4
Green	1032Q D5*	1033Q D 5*
Lamp used	C 2A+Resistor	

* Incorporates G2B lamp and resistor.
Underwriters Laboratories (UL) File No. E20325
Canadian Standards Association (CSA) File No. LR13346