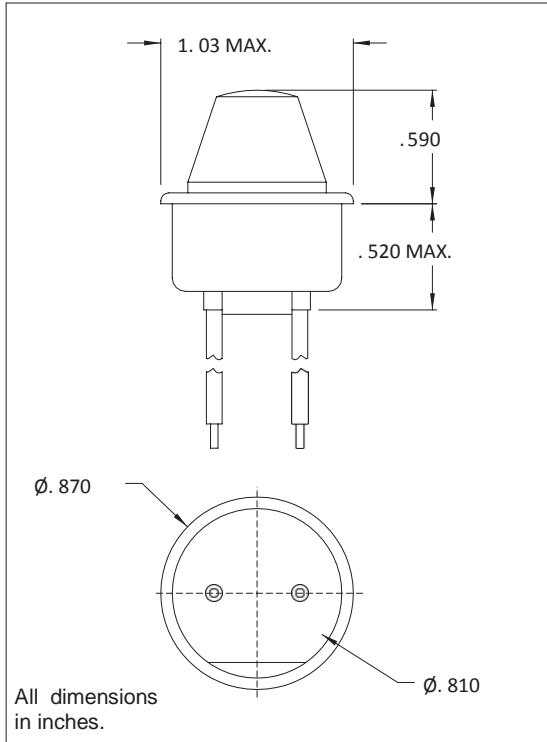


2620T, 2621T, 2622T and 2623T Series Non-Relampable Neon Indicator Light

Description and Features



Mounting: Supplied with speednut SN2089. Mounting hole .875/.880 inches

Wire Leads: No. 22 AWG (105°C) 4.40/4.80 long, stripped .430/.570

Lens: Polycarbonate

Bezel: Polished stainless steel.

Housing: White Nylon

Lens Color	Neon	
	Model No. (105-125VAC)	Model No. (208-250VAC)
Red	2620T 1	2621T1
Amber	2620T 3	-
Green	2622T 5*	2623T5*
Lamp used	C 2A+Resistor	

* Incorporates G2B lamp and resistor.
Underwriters Laboratories (UL) File No. E20356