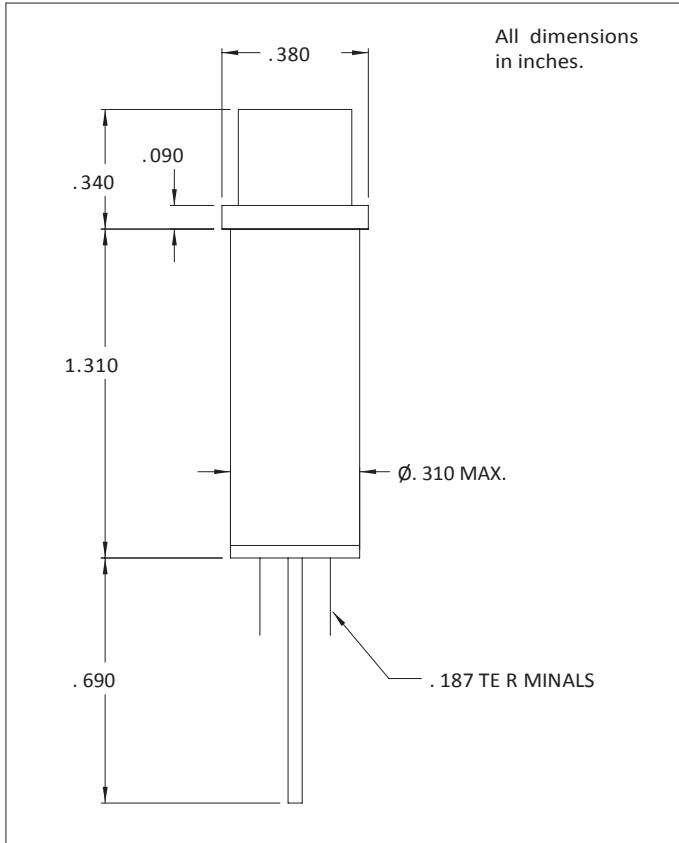


2150QA and 2151QA Series Non-Relampable Neon Indicator Lights

Description and Features



Mounting: Ø.310 MIN., supplied with push-on speednut SN1287.

Terminals: Quick-connect, tinned brass, .187 x .020

Lens: Polycarbonate

Bezel: Polished stainless steel.

Housing: White Nylon

| Lens Color | Neon | |
|------------|----------------------------|----------------------------|
| | Model No. (105-125VAC) | Model No. (208-250VAC) |
| Red | 2150QA1 | 2151QA1 |
| Amber | 2150QA3 | 2151QA3 |
| White | 2150QA4 | - |
| Green | 2152QA5* | 2153QA5* |
| Lamp | C 2A+Resistor | C 2A+Resistor |

* Incorporates G2B lamp and resistor.
Underwriters Laboratories (UL) File No. E20356