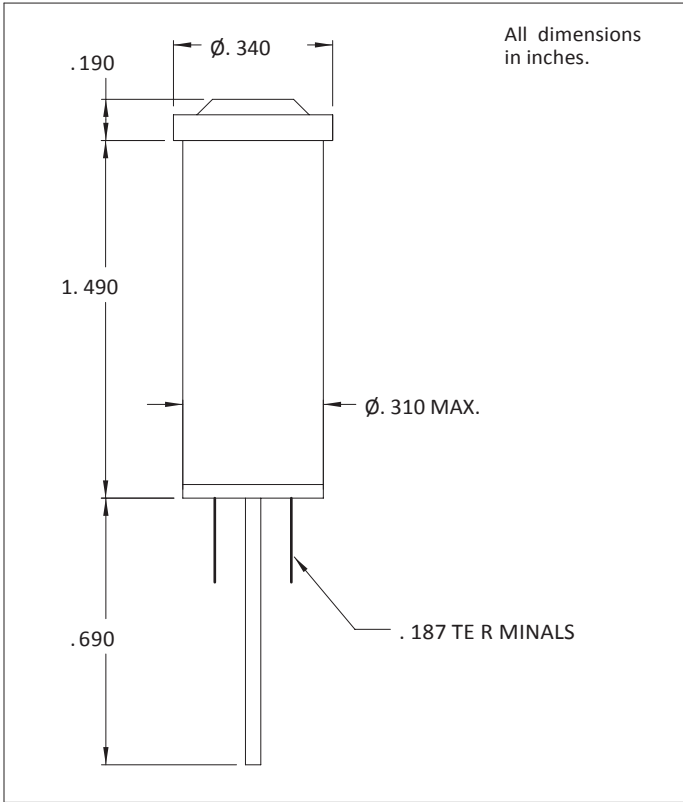


# 2110QA, 2111QA, 2112QA, 2113QA Series Non-Relampable Neon Indicator Lights

## Description and Features



Mounting:  $\varnothing .310 \text{ MIN.}$ , supplied with push-on speednut SN1287.

Terminals: Quick-connect, tinned brass,  $.187 \times .020$

Lens: Polycarbonate

Bezel: White nylon.

Housing: White Nylon

Lens Color	Neon	
	Model No. (105-125VAC)	Model No. (208-250VAC)
Red	2110QA1	2111QA1
Clear	2110QA2	-
Amber	2110QA3	-
White	2110QA4	2111QA4
Green	2112QA5*	2113QA5*
Lamp	C 2A+Resistor	C 2A+Resistor

\* Incorporates G2B lamp and resistor.  
 Underwriters Laboratories (UL) File No. E20356